

Device Specifications

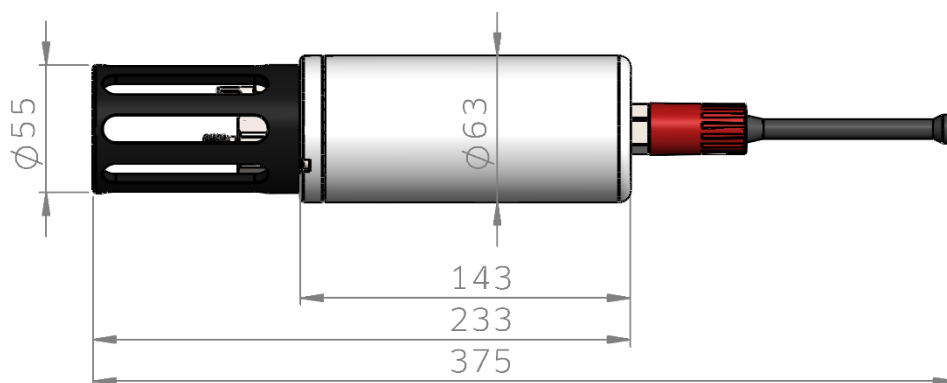
AquapHOx Logger

For sensor specifications and response times, please refer to the webpages of the different sensor types.

Specifications		
Item No.	APHOX-LX	APHOX-L-PH / APHOX-L-O2
Dimensions	63 x 300 mm	63 x 300 mm
Weight in air	1.35 kg	0.450 kg
Housing Material	Titanium	Polyoxymethylene (POM)
Max. hydrostatic pressure	400 bar (4000m)	10 bar (100m)
Supported analytes	pH, O2 and optical temperature	APHOX-L-PH: pH and optical temperature APHOX-L-O2: O2 and optical temperature
Optical sensor connector	PyroScience underwater connector (-SUB)	
Optical sensor port	1	
Compatible optical sensors	Portfolio of optical sensors with underwater connector (-SUB) from PyroScience	
External temperature sensor Resolution Accuracy Typical response time	NTC thermistor for automatic temperature compensation 0.005°C 0.05°C 0.5 s	
Software	Software Pyro Workbench or Pyro Developer Tool	
Computer interface	USB 2.0	
Electrical Connector	MCBH6M	
Charging	via USB	
Battery	Rechargeable LiPo battery, 1250 mAh	
Data storage	4 GB (ca. 40 million data points)	
Max. sample rate	1 s	

Typical stand-alone logging time (fully charged battery)	ca. 1 week for 1s logging interval ca. 2 months for 10s logging interval ca. 6 months for 1 min logging interval ca. 1 year for >10 min logging interval
Operating / storage temperature	-10°C - 60 °C Storage -5°C - 40°C Operating
Oxygen sensors	Refer to the separately available specifications for the connected oxygen sensor
pH sensors	Refer to the separately available specifications for the connected pH sensor
Optical temperature sensors	Refer to the separately available specifications for the connected optical temperature sensor

*Please note, that the optical sensors have a different temperature range



Contact

PyroScience GmbH
 Hubertusstraße 35
 52064 Aachen
 Deutschland

Tel.: +49 (0)241 5183 2210
 Fax: +49 (0)241 5183 2299
 info@pyroscience.com
 www.pyroscience.com