

Device Specifications

AquapHOx Transmitter

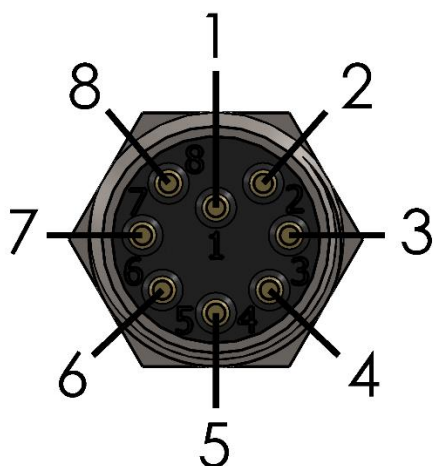
For sensor specifications and response times, please refer to the webpages of the different sensor types.

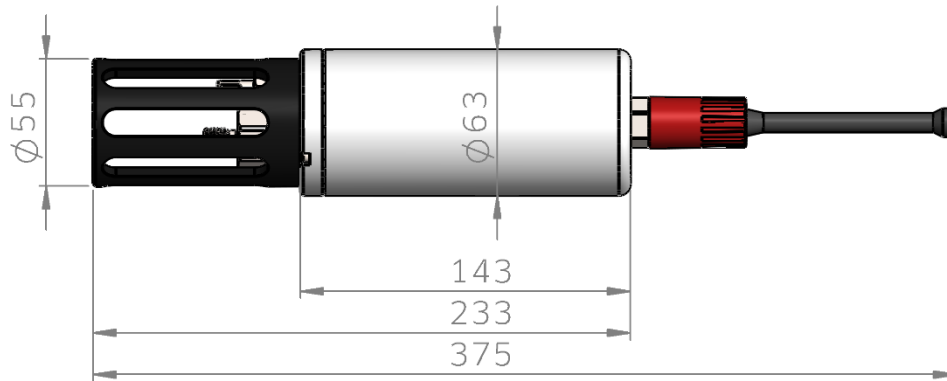
Specifications		
Item No.	APHOX-TX	APHOX-T-PH / APHOX-T-O2
Dimensions	63 x 300 mm	63 x 300 mm
Weight in air	1.31 kg	0.406 kg
Housing Material	Titanium	Polyoxymethylene (POM)
Max. hydrostatic pressure	400 bar (4000m)	10 bar (100m)
Supported analytes	pH, O ₂ and optical temperature	APHOX-T-PH: pH and optical temperature APHOX-T-O2: O ₂ and optical temperature
Optical sensor connector	PyroScience underwater connector (-SUB)	
Optical sensor port	1	
Compatible optical sensors	Portfolio of optical sensors with underwater connector (-SUB) from PyroScience	
External temperature sensor Resolution Accuracy Typical response time	NTC thermistor sensor for automatic temperature compensation 0.005°C 0.05°C 0.5 s	
Software	Pyro Workbench or Pyro Developer Tool	
Digital interface	RS485 (USB 2.0 adapter cable included)	
Electrical Connector	MCBH8M	
Suitable Pigtail Cable	MCIL8F	
Power Supply	5-15VDC (only RS485 / USB) 10-15 VDC (Analog Outputs)	
Analog Output	2x 0-5V, 2x 4-20mA (16 bit each)	

Digital Protocols	Modbus RTU or PyroScience protocol (switchable)
Data storage	No internal data storage
Max. sample rate	40 Hz (0.025 s interval)
Power consumption	max. 30mA (+ currents used by analog current outputs)
Operating / storage temperature	-10°C - 60 °C Storage -5°C - 40°C Operating
Oxygen sensors	Refer to the separately available specifications for the connected oxygen sensor
pH sensors	Refer to the separately available specifications for the connected pH sensor
Optical temperature sensors	Refer to the separately available specifications for the connected optical temperature sensor

*Please note, that the optical sensors have a different temperature range

Subconn Pin Nr.	Name	Subconn wire color	Function
1	GND	black	Ground
2	RS485B	white	RS485 Data B
3	VCC	red	Supply voltage
4	U1	green	Analog voltage out 1 (0-5V)
5	RS485A	orange	RS485 Data A
6	U2	blue	Analog voltage out 2 (0-5V)
7	I1	white/black	Analog current out 1 (4-20mA)
8	I2	red/black	Analog current out 2 (4-20mA)





Contact

PyroScience GmbH
Hubertusstraße 35
52064 Aachen
Deutschland

Tel.: +49 (0)241 5183 2210
Fax: +49 (0)241 5183 2299
info@pyroscience.com
www.pyroscience.com