

# CLD502, CLD505 AND CLD510 CHLORINE DIOXIDE SENSORS

## PRODUCT SPECIFICATION SHEET

CLD502, & CLD510  
SENSORS



FC72 FLOW CELL



OPTIONAL  
FM001  
FLOW METER



## SPECIFICATIONS

|                              |   |
|------------------------------|---|
| <b>Measuring Range</b>       | 0-2 (CLD-502), 0-10ppm (CLD-510) CLO <sub>2</sub> |
| <b>pH Range</b>              | 4-11  |
| <b>Body Material</b>         | PVC   |
| <b>Membrane Cap Material</b> | PVC housing, Proprietary Membrane                 |
| <b>Temperature Range</b>     | 0-45 Degrees C                                    |
| <b>Maximum Pressure</b>      | 14.7 psig (1 Bar)                                 |
| <b>Temp Comp</b>             | Integrated  |
| <b>Cable Length</b>          | 10 feet 2 conductors, tinned leads                |
| <b>Process Connection</b>    | flow cell 1/4 inch FNPT threads                   |
| <b>Output</b>                | 4-20mA or Modbus RS485 communication              |
| <b>Flow Range</b>            | Min 0.2 gpm (45 l/hr), Max 0.6 gpm (135 l/hr)     |
| <b>Supply Voltage</b>        | 12-24V DC, 250 mA minimum                         |
| <b>Cross Sensitivity</b>     | Ozone, monochloramine                             |

**PARTS COVERED BY THIS PRODUCT DATA SHEET INCLUDE:**

CLD502, CL505, CLD510, CLD502-MB2, CLD505-MB2, CLD510-MB2, CLDA-5015 THRU CLDA-5018, FC72, FM001

### Amperometric Sensor Technology

Ranges 0-2, 0-5 or 0-10ppm

4-20mA or Modbus RS485 output

Built-In Temperature Compensation

Large Electrolyte Reservoir

Replaceable Membrane and Electrolyte

The CLD series (chlorine dioxide sensors) feature amperometric measurement technology. Designed for disinfection applications in water treatment, for use with chlorine dioxide, pools, etc., these sensors are available in three ranges for detecting ppm level of chlorine dioxide. Choose the CLD502 for 0-2ppm, CLD505 for 0-5ppm and CLD510 for 0-10ppm of chlorine dioxide.

*Typical applications include:*

- Industrial wastewater
- Cooling water
- Bottle Rinsing
- Irrigation water in agriculture

Sensors output a 4-20mA or Modbus RS485 digital communication signal scaled to 0-2, 0-5, or 0-10ppm. Membrane cap and fill solution are easily replaceable to maximize sensor life.

Sensors should be used in new installations with Sensorex flow cell.

An optional flow meter (FM001) is available to ensure regulated flow between 0.2 to 0.6gpm for optimum sensor accuracy.

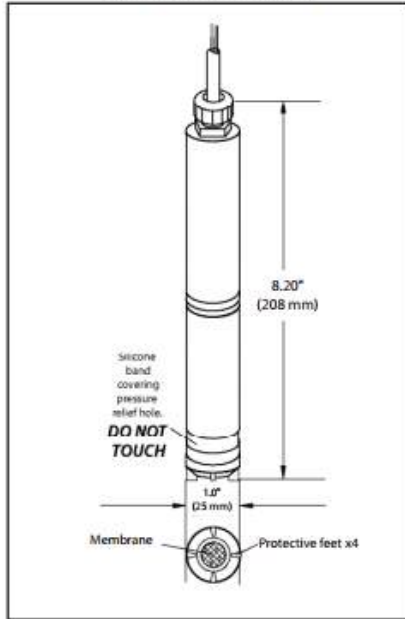
DESIGNED AND ASSEMBLED IN CALIFORNIA, USA

11751 MARKON DRIVE • GARDEN GROVE, CA 92841 • 714.895.4344 • WWW.SENSOREX.COM

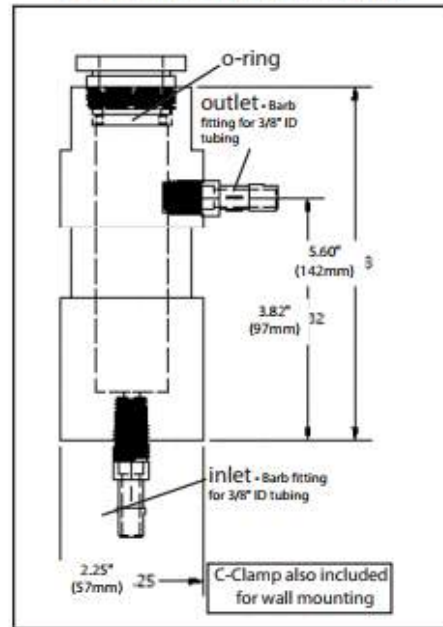
© Sensorex Corporation. All rights reserved. In the interest of improving and updating its equipment, Sensorex reserves the right to alter specifications to equipment at any time.

# CLD502, CLD500 AND CLD510 CHLORINE DIOXIDE SENSORS

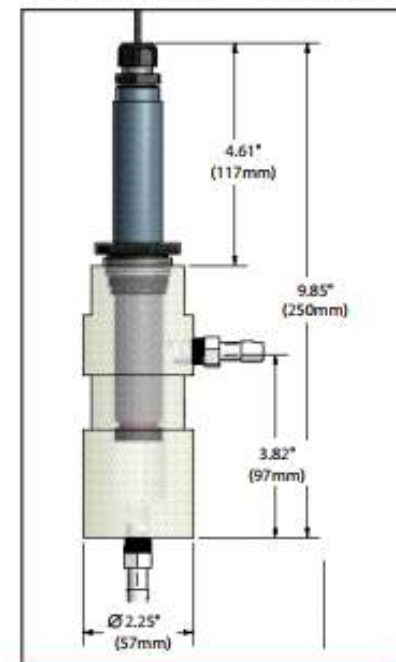
**SENSOR DIMENSIONS**



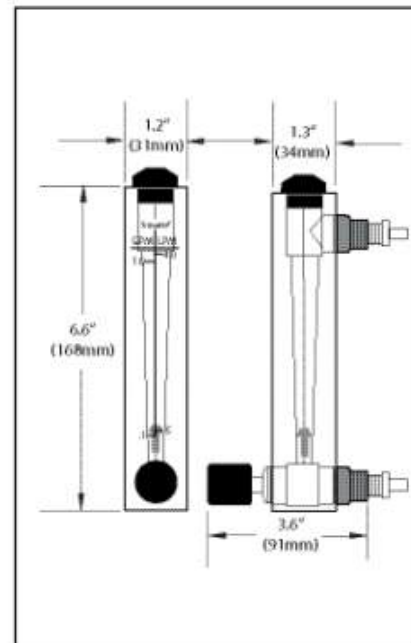
**FC72 FLOW CELL DIMENSIONS**



**SENSOR AND FLOW CELL INSTALLATION DIMENSIONS**



**FLOW METER FM001 DIMENSIONS**



DESIGNED AND ASSEMBLED IN CALIFORNIA, USA

11751 MARKON DRIVE • GARDEN GROVE, CA 92841 • 714.895.4344 • WWW.SENSOREX.COM

© Sensorex Corporation. All rights reserved. In the interest of improving and updating its equipment, Sensorex reserves the right to alter specifications to equipment at any time.



# CLD502, CLD500 AND CLD510 CHLORINE DIOXIDE SENSORS

## ORDERING INFORMATION

| Part Number         | Description  |
|---------------------|--|
| <b>CLD502</b>       | 0-2 ppm ClO <sub>2</sub> 4-20mA sensor, includes 2 replacement cap, 2 each 30 mL refill 3 each cathode polishing squares & 2 each pressure relief band   |
| <b>CLD505</b>       | 0-5 ppm ClO <sub>2</sub> 4-20mA sensor, includes 2 replacement cap, 2 each 30mL refill 3 each cathode polishing squares & 2 each pressure relief band.   |
| <b>CLD510</b>       | 0-10 ppm ClO <sub>2</sub> 4-20mA sensor, includes 2 replacement cap, 2 each 30mL refill 3 each cathode polishing squares & 2 each pressure relief band.  |
| <b>CLD502-MB2**</b> | 0-2 ppm ClO <sub>2</sub> Modbus RS485 digital communication sensor, includes 2 replacement cap, 2 each 30 mL refill 3 each cathode polishing squares & 2 each pressure relief band, requires 24VDC power |
| <b>CLD505-MB2**</b> | 0-5 ppm ClO <sub>2</sub> Modbus RS485 digital communication sensor, includes 2 replacement cap, 2 each 30 mL refill 3 each cathode polishing squares & 2 each pressure relief band, requires 24VDC power |
| <b>CLD510-MB2**</b> | 0-10ppm ClO <sub>2</sub> Modbus RS485 digital communication sensor, includes 2 replacement cap, 2 each 30 mL refill 3 each cathode polishing squares & 2 each pressure relief band, requires 24VDC power |
| <b>FC72</b>         | Flow cell, 1/4" FNPT inlet and outlet, includes 2 each 1/4" NPT barbed tube fittings for 3/8" ID tubing  |
| <b>CLDA-5015</b>    | ClO <sub>2</sub> fill solution, 30mL, 2 each   |
| <b>CLDA-5016</b>    | CLD sensor replacement membrane cap, 1 each, pressure relief band, 1 each  |
| <b>CLDA-5017</b>    | 3 each cathode polishing squares   |
| <b>CLDA-5018</b>    | Maintenance kit for CLD5 series sensors includes: 1 replacement cap, 2 each 30mL refill, 3 each cathode polishing squares & 1 each pressure relief band  |

DESIGNED AND ASSEMBLED IN CALIFORNIA, USA

11751 MARKON DRIVE • GARDEN GROVE, CA 92841 • 714.895.4344 • WWW.SENSOREX.COM

© Sensorex Corporation. All rights reserved. In the interest of improving and updating its equipment, Sensorex reserves the right to alter specifications to equipment at any time.