

pH & ORP ELECTRODES FOR ONLINE PROCESS MONITORING



Reliable performance in demanding applications

Double junction prevents reference contamination

Easy installation for various online monitoring systems

Suitable for use in a range of chemical environments

4-20mA and Modbus 485 output available

Our S272 series of pH and ORP sensors deliver reliable online monitoring for in-line or submersion installation configuration. Double-junction reference extends sensor lifetime by preventing contamination of the reference with sample components that interact with Silver (Ag). Minimal maintenance required due to the flat glass measurement surface, which also reduces the threat of measurement surface breakage. A versatile sensor for moderate and multi-purpose applications. S272 sensors come with a fully integrated cable assembly, and automatic temperature compensation is available for applications where it is required. Available also with integrate 4-20mA or Modbus 485 output.

RECOMMENDED APPLICATIONS INCLUDE:

- **Chemical processing**
- **Industrial water treatment**
- **Potable water systems**
 - **Boiler feedwater**
- **Municipal wastewater plants**

PARTS COVERED BY THIS PRODUCT DATA SHEET INCLUDE:
S272CD, S272CDTC, S272CD-ORP, S272CDTC-MB2, S272CD-ORP-MB2

Doc. #450006 Revision A: Published 7/21/16

DESIGNED AND ASSEMBLED IN CALIFORNIA, USA

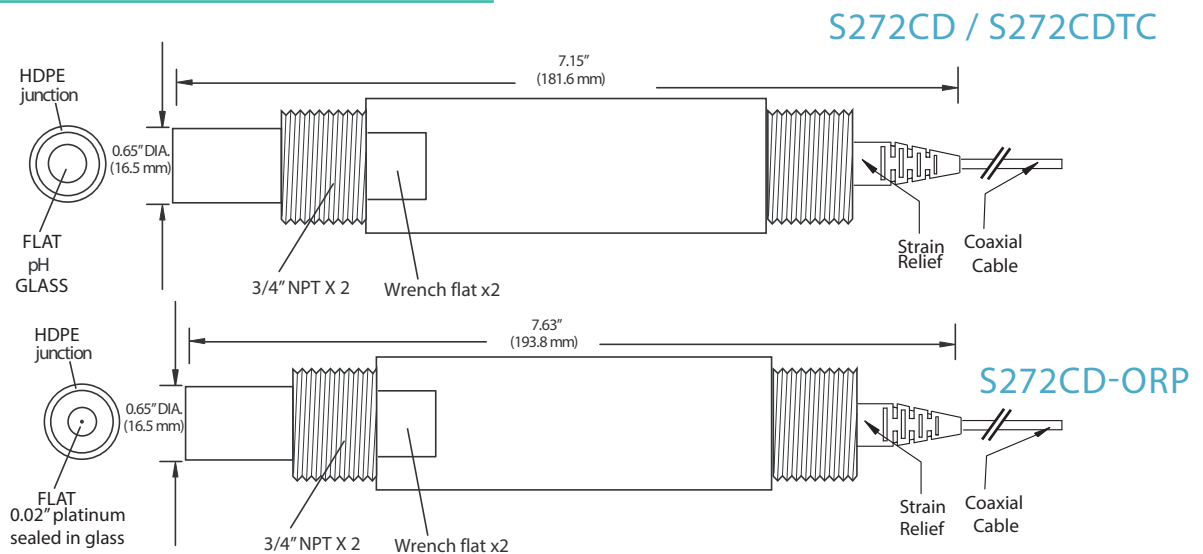
11751 MARKON DRIVE • GARDEN GROVE, CA 92841 • 714.895.4344 • WWW.SENSOREX.COM

© Sensorex Corporation. All rights reserved. In the interest of improving and updating its equipment, Sensorex reserves the right to alter specifications to equipment at any time.

SPECIFICATIONS

pH Measurement Range	0 - 14 pH (Sodium ion error when 12.3 < pH), Modbus 485 (0-14pH) for -MB models
ORP Measurement Range	± 2000mV, Modbus 485 (-2000 to + 2000mV) for -MB models
Body Material	Ryton® Polyphenylene Sulfide (PPS)
Temperature Range	0-100°C (32-212°F)
Pressure Maximum	100 psig
Cable Length/Connector	3m (10ft) Standard or Custom (by request) BNC or Tinned Leads Standard or Custom (by request), Tinned leads standard for -MB models
Process Connection	3/4" NPT Threaded

OUTLINE AND DIMENSIONS



ORDERING INFORMATION

Part Number	Description
S272CD	Ryton® body in-line pH electrode with 3 m cable, tinned tead or BNC connector
S272CDTC	Ryton® body in-line pH electrode with 3 m cable (built in ATC), tinned tead or BNC connector
S272CD-ORP	Ryton® body in-line ORP electrode with 3 m cable, tinned tead or BNC connector
S272CDTC-MA	Ryton® body in-line pH electrode with 3 m cable, tinned teads, 4-20mA = 0-14pH
S272CD-ORP-MA	Ryton® body in-line ORP electrode with 3 m cable, tinned teads, 4-20mA = 0-14pH
S272CDTC-MB2**	Ryton® body in-line pH electrode with 3 m cable, tinned leads, Modbus 485 output
S272CD-ORP-MB2**	Ryton® body in-line ORP electrode with 3 m cable, tinned leads, Modbus 485 output

NOTE: ** ALSO AVAILABLE WITH 12V DC POWER OPTION. CONTACT SENSOREX FOR DETAILS.